

HI-SCAN 6040i

X-ray Inspection System



- ▶ **High-End processor technology**
- ▶ **High-Speed digital signal transmission**
- ▶ **HI-MAT^{Plus} advanced material classification**
- ▶ **High image resolution**
- ▶ **24 Bit real time image processing**
- ▶ **New ergonomic user interface**
- ▶ **Free programmable priority keys**

The Hi-SCAN 6040i is a newly designed, compact x-ray inspection system with a tunnel opening of 620 mm (24") wide by 418 mm (22") high. This tunnel size is ideally suitable for cabin baggage and other small items in areas with increasing security demands.

The Hi-SCAN 6040i is part of the new ProLine system concept, which offers various possibilities of extension due to a modular, flexible system design.

Online image analysis methods to support the operator's work, and a new man-machine interface configured according to ergonomic aspects, are pointing the way to the future for this kind of system. Innovative technique and a high degree of reliability, make this system an excellent tool for covering sensitive fields of inspection.

The equipment offers the operating personnel optimum support in making decisions and reduces inspection times considerably.

General Specifications

Tunnel dimensions	620 (W) x 418 (H) [mm] • 24.4" (W) x 16.5" (H)
Max. object size	615 (W) x 410 (H) [mm] • 24.2" (W) x 16.1" (H)
Conveyor height ¹⁾	approx. 694 mm (27.3")
Conveyor speed at mains frequency	approx. 0.2 / 0.24 [m/s]
50 Hz / 60 Hz	
max. conveyor load even distributed over the whole conveyor	160 kg (352 lbs)
Resolution (wire detectability)	standard: 38 AWG (0.1 mm) • typical: 39 AWG (0.09 mm)
Penetration (steel) ²⁾	standard: 27 mm • typical: 30 mm
X-ray dose / inspection (typical)	standard: 0.7 µSv (0.07 mrem) • with HI-MAT: 1.6 µSv (0.14 mrem)
Film safety	guaranteed up to ISO 1600 (33 DIN)
Duty cycle	100 %, no warm-up procedure required

X-ray Generator

Anode voltage • cooling	140 kV cp • hermetically sealed oil bath
Beam direction	diagonal

Image Generating System

X-ray converter	L-shaped detector line
Grey levels stored	4096
Image presentation	B/W, color
Digital video memory	1280 x 1024 / 24 bit
image evaluation functions	VARI-MAT, O ² , OS, HIGH
	electronic zoom: enlargement 2-, 3-, 4-, ... 16-times
Monitor	17"-color monitor, emission meets MPR II and TCO 95 standards other monitors on request

Additional Features

Features	fading-in of date/time, luggage counter, user Id-number, luggage marking system (acoustic), display of operating mode, REVIEW-feature (to recall image areas no more visible) Zoom-overview, free programmable keys
Options	HI-MAT (distinction of material groups), X-ACT, HI-TIP, HI-SPOT, SEN, XPlore, IMS (image management system)

Installation Data

X-ray leakage	meets all applicable laws and regulations with respect to X-ray emitting devices.
CE-labelling	in compliance with guidelines 98/37/EWG, 72/23/EWG, 89/336/EWG
Sound pressure level	< 70 dB(A)
Operating- / storage temperature ⁴⁾	0° - 40°C / -20°C - +60°C
Humidity	10% - 90% (non-condensing)
Power supply ⁵⁾	standard: 230 VAC or 110 VAC +10% / -15% • 50 Hz / 60 Hz ± 3 Hz
Power consumption	approx. 0.8 kVA
Protection class keyboard	IP 22
Dimensions • Weight ⁶⁾	2004 (L) x 850 (W) x 1284 (H) [mm] • approx. 400 kg 78.9" (L) x 33.5" (W) x 50.6" (H) • approx. 881.9 lbs
Mechanical construction	steel construction with steel panels, mounted on roller castors standard color(s): RAL 7016 (dark gray) / B11-W1 (blue)

¹⁾ approx. values (adjustable)

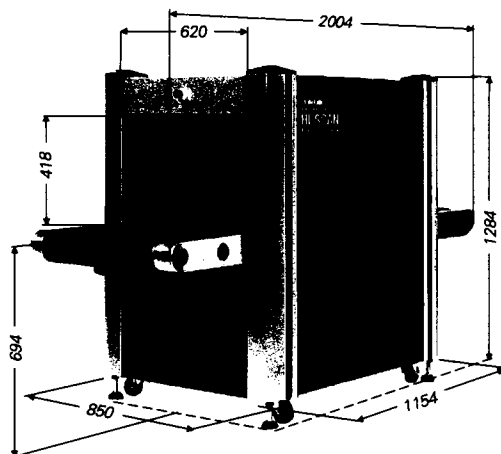
²⁾ higher conveyor load at systems with frequency converter

³⁾ according to ASTM test procedure

⁴⁾ extended temperature range on request

⁵⁾ different values optional

⁶⁾ without control desk, keyboard, monitor(s) etc.



Heimann Systems Inc.

950 Bergar, Laval (Quebec)
Canada H7L 5A1
Tel.: ++1 (450) 967-0010
Fax.: ++1 (450) 967-7444
hs-canada@heimannsystems.com

Heimann Systems S.A.

45, rue d'Antony, Silic 171
94533 Rungis Cedex • France
Tel.: ++33 (0)1 4512 8500
Fax.: ++33 (0)1 4687 1010
hs-france@heimannsystems.com

Heimann Systems Pte. Ltd.

3 Toh Tuck Link #04-01
German Districentre
Singapore 596228
Tel.: ++ 65 466-1700
Fax.: ++ 65 469-2506
hs-singapore@heimannsystems.com

Heimann Systems Corp.

30 Hook Mountain Road
Pine Brook, NJ 07058 • U.S.A.
Tel.: ++ 1 (973) 830-2100
Fax.: ++ 1 (973) 830-2200
hs-usa@heimannsystems.com

Heimann Systems

Beijing Representative Office
Beijing Lufthansa Center C 316
No. 50, Liangmaqiao Road
Chaoyang District
Beijing 100016 • PRC
Tel.: ++86 (10) 6465 1909
Fax.: ++86 (10) 6465 1981
hs-singapore@heimannsystems.com

Heimann Systems

Liaison Office Moscow
Planernaya st. 22/2
123481 Moscow • Russia
Tel.: ++7 (095) 494-3318
Fax.: ++7 (095) 494-3318
hs-russia@heimannsystems.com

Heimann Systems GmbH Group Headquarter

Im Herzen 4
65205 Wiesbaden • Germany
Tel.: ++49 (0)611 9412-0
Fax.: ++49 (0)611 9412-229
hs-germany@heimannsystems.com
http://www.heimannsystems.com

